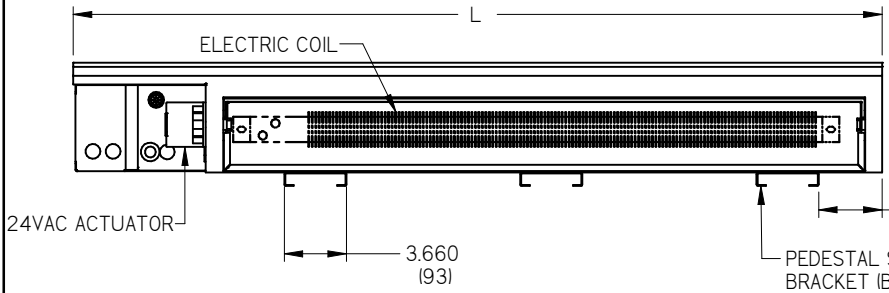
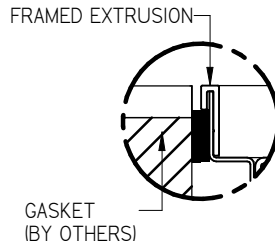
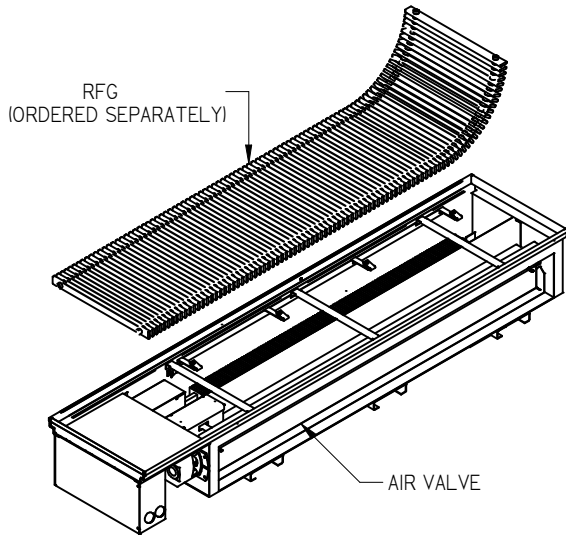


**LNT LOW-PROFILE ELECTRIC**

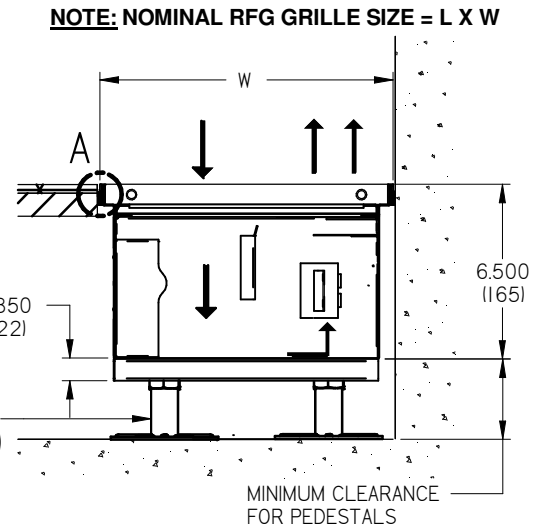


ROUGH OPENING NOM L X W	LENGTH A	AIR VALVE SIZE (CFM)	MIN. EC (W)	MAX. EC (W)
<input type="checkbox"/> 48 X 11 (1219 X 254)	47 7/8 (1216)	<input type="checkbox"/> 200 <input type="checkbox"/> 300 <input type="checkbox"/> 400	750	1000
<input type="checkbox"/> 72 X 11 (1829 X 254)	71 7/8 (1826)	<input type="checkbox"/> 200 <input type="checkbox"/> 300 <input type="checkbox"/> 400	1000	1500
<input type="checkbox"/> 96 X 11 (2438 X 254)	95 7/8 (2435)	<input type="checkbox"/> 400 <input type="checkbox"/> 600 <input type="checkbox"/> 800	1500	2000

NOMINAL LENGTH	120-1V			208-1V			240-1V			277-1V		
	AMPS	MCA	MOP	AMPS	MCA	MOP	AMPS	MCA	MOP	AMPS	MCA	MOP
48	6.3 - 8.3	7.8 - 10.4	15	3.6 - 4.8	4.5 - 6.0	15	3.1 - 4.2	3.9 - 5.2	15	2.7 - 3.6	3.4 - 4.5	15
72	8.3 - 12.5	10.4 - 15.6	15 - 20	4.8 - 7.2	6.0 - 9.0	15	4.2 - 6.3	5.2 - 7.8	15	3.6 - 5.4	4.5 - 6.8	15
96	12.5 - 16.7	15.6 - 20.8	20 - 25	7.2 - 9.6	9.0 - 12.0	15	6.3 - 8.3	7.8 - 10.4	15	5.4 - 7.2	6.8 - 9.0	15



DETAIL A



**NOTE:**

- LNT-LP WITH RFG INSTALLED IS DESIGNED TO WITHSTAND LIGHT FOOT TRAFFIC
- PEDESTAL BRACKETS SUPPLIED & MOUNTED BY PRICE
- PEDESTAL & PEDESTAL HEAD SUPPLIED BY OTHERS

**PLENUM:**

- 20 GAUGE STEEL CONSTRUCTION
- BLACK FINISH
- DROP-IN INSTALLATION FROM ABOVE FLOOR
- COMES WITH REMOVABLE ENDCAPS FOR CONTINUOUS & DISCRETE GRILLE INSTALLATIONS

**DAMPER CONTROL:**

- 24 VAC FLOATING POINT ACTUATOR
- RJ45 CONTROL BOARD WITH PLENUM RATED CONTROL CABLE

**COIL TYPE:**

- STG - SINGLE STAGE HEAT (ON-OFF)

**PEDESTAL BRACKETS**

- 3 FOR 48X11 UNITS
- 4 FOR 72X11 UNITS
- 5 FOR 96X11 UNITS

**ACOUSTIC LINER:**

- 1/2" INTERNAL FIBER FREE LINER (3LB DENSITY MIN.)

**CFLEX CONTROL CABLE (PURPLE):**

- 15P - 15 FT. STRANDED
- 25P - 25 FT. STRANDED
- 35P - 35 FT. STRANDED

**HEATER ELEMENT:**

- 120/1/60 ELECTRICAL
- 208/1/60 ELECTRICAL
- 240/1/60 ELECTRICAL
- 277/1/60 ELECTRICAL
- FINNED STRIP HEATER, MULTIPLE ELEMENTS MAY BE SUPPLIED ON LONGER UNITS
- TRANSFORMERS & DISCONNECT SWITCH INCLUDED IN ASSEMBLY



Intertek

ALL METRIC DIMENSIONS ( ) ARE SOFT CONVERTED. IMPERIAL DIMENSIONS ARE CONVERTED TO METRIC AND ROUNDED TO THE NEAREST MILLIMETER.

<b>PROJECT:</b>		 <b>LNT-LP</b> LNT LOW-PROFILE ELECTRIC
<b>ENGINEER:</b>		
<b>CUSTOMER:</b>		
<b>SUBMITTAL DATE:</b>	<b>SPEC. SYMBOL:</b>	
		PS 274546 2023/09/19